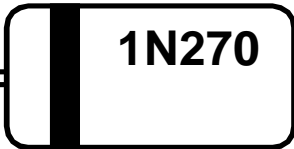


Gold Bonded



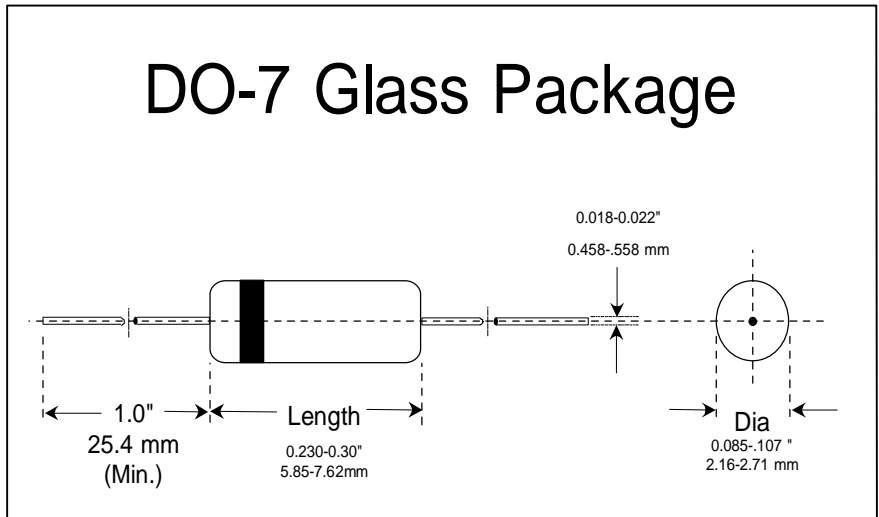
Germanium Diodes

Optimized for Radio Frequency Response

Can be used in many AM, FM and TV-IF applications, replacing point contact devices.

Applications

- AM/FM detectors
• Ratio detectors
• FM discriminators
• TV audio detectors
• RF input probes
• TV video detectors



Features

- Lower leakage current
• Flat junction capacitance
• High mechanical strength
• At least 1 million hours MTBF
• BKC's Sigma-Bond™ plating for problem free solderability

Absolute Maximum Ratings at T_amb = 25 °C

Table with 5 columns: Parameter, Symbols, Min., Max., Units. Rows include Peak Inverse Voltage, Surge Current, Average Rectified Forward Current, Peak Operating Current, and Operating and Storage Temperatures.

Electrical Characteristics at T_amb = 25 °C

Table with 6 columns: Parameter, Test Conditions, Symbols, Min., Typ., Max., Units. Rows include Forward Voltage Drop, Breakdown Voltage, Reverse Leakage, and Junction Capacitance.



6 Lake Street - Lawrence, MA 01841

Tel: 978-681-0392 - Fax: 978-681-9135

This datasheet has been download from:

www.datasheetcatalog.com

Datasheets for electronics components.